

- Meet requirement of UL555(S) when tested as an assembly with suitable dampers
- Torque: 2Nm @ 121°C(250°F) for 30 minutes
- Running time: motor 75s, spring return 25s
- Control: Open/Close

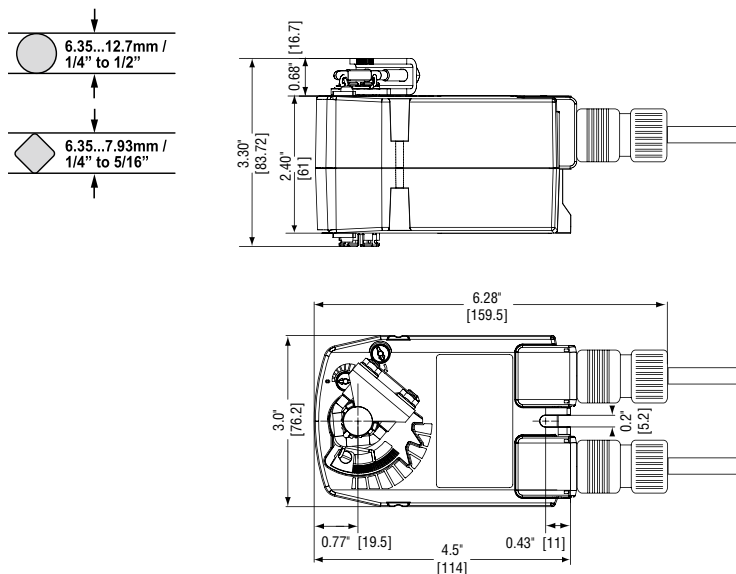


Technical data

Electrical data	Nominal voltage	AC 24V 50/60Hz, DC 24V*		
	Nominal voltage range	AC 19.2...28.8V, DC 21.6...36V*		
	Power consumption	2W, 3VA @ running / 1.5W, 2VA @ holding		
	For transformer sizing	5VA		
	Connection	-Motor -Auxiliary Switch	1m, 18ga, 2 colour coded leads 1m, 18ga, 4 appliance leads 1/2" conduit connector	
Functional data	Torque	2Nm		
	Direction of rotation	Reversible with CW/CCW mounting		
	Angle of rotation	Max. 95°		
	Auxiliary switch	-FSTF24-S US	2 SPST, 3A resistive (0.5A inductive) @ 120VAC fixed at 5°◀, 80°◀	
	Running time	-Motor -Spring Return	<75s at rated voltage and torque <25s @ 0°C - 50°C	
	Position indicator		Visual indicator 0° to 95° (0° spring return position)	
Safety	Protection class	Double insulated		
	Degree of protection	IP42 / NEMA type 2		
	Agency listing		cULus acc. to UL60730-1A/-2-14, CAN/CSA E60730-1:02, Listed to UL 2043 - suitable for use in air plenums per Section 300.22(C) of the NEC and Section 602 of the IMC	
	Ambient temperature	-Normal Duty -Safety Duty	0...+50°C Open/Close cycles after 1/2hr @121°C (250°F)	
	Storage temperature		-40...+80°C	
	Humidity test		5-95% RH, non-condensing	
	Maintenance		Maintenance-free	
	Dimensions / weight	Dimensions (L x M x H)		See "Dimensions"
		Shaft diameter		∅ 6.35...12.7mm / 1/4" to 1/2" □ 6.35...7.93mm / 1/4" to 5/16"
		Weight	-FSTF24 US -FSTF24-S US	Approx. 0.57kg Approx. 0.68kg
Safety note			AC 24V: Connect via safety isolating transformer, class 2 supply	

* Filtered and regulated DC 24V power supplies is needed.

Dimensions [mm/inches]



Fire and Smoke Spring Return Actuator FSTF120(-S) US



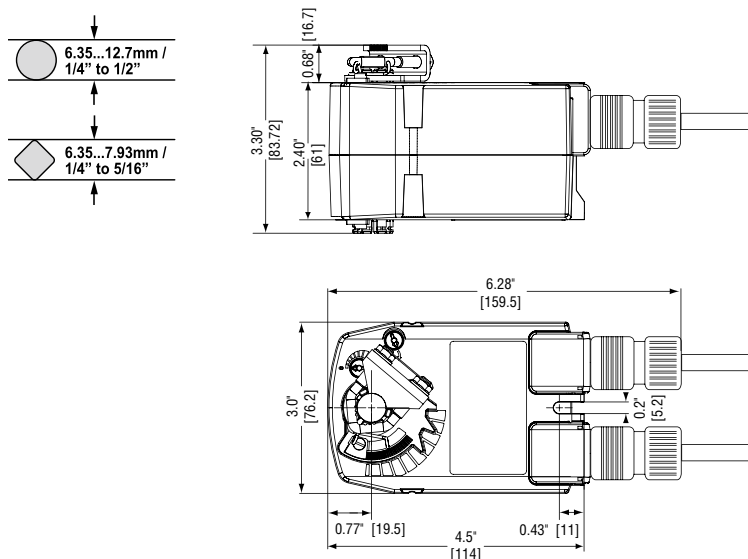
- Meet requirement of UL555(S) when tested as an assembly with suitable dampers
- Torque: 2Nm @ 121°C(250°F) for 30 minutes
- Running time: motor 75s, spring return 25s
- Control: Open/Close
- 1 wire control



Technical data

Electrical data	Nominal voltage	AC 120V 50/60Hz
	Nominal voltage range	AC 108V...132V
	Power consumption	2W, 3.5VA @ running / 1.5W, 2.5VA @ holding
	Connection	-Motor 1m, 18ga, 2 colour coded leads -Auxiliary Switch 1m, 18ga, 4 appliance leads 1/2" conduit connector
Functional data	Torque	2Nm
	Direction of rotation	Reversible with CW/CCW mounting
	Angle of rotation	Max. 95°
	Auxiliary switch	-FSTF120-S US 2 SPST, 3A resistive (0.5A inductive) @ 120VAC fixed at 10°↙, 80°↘
	Running time	-Motor <75s at rated voltage and torque -Spring Return <25s @ 0°C - 50°C
	Position indicator	Visual indicator 0° to 95° (0° spring return position)
Safety	Protection class	Double insulated
	Degree of protection	IP42 / NEMA type 2
	Agency listing	cULus acc. to UL60730-1A/-2-14, CAN/CSA E60730-1:02, Listed to UL 2043 - suitable for use in air plenums per Section 300.22(C) of the NEC and Section 602 of the IMC
	Ambient temperature	-Normal Duty 0...+50°C -Safety Duty Open/Close cycles after 1/2hr @250°C
	Storage temperature	-40...+80°C
	Humidity test	5-95% RH, non-condensing
	Maintenance	Maintenance-free
Dimensions / weight	Dimensions (L x M x H)	See "Dimensions"
	Shaft diameter	∅ 6.35...12.7mm / 1/4" to 1/2" □ 6.35...7.93mm / 1/4" to 5/16"
	Weight	-FSTF120 US Approx. 0.57kg -FSTF120-S US Approx. 0.68kg

Dimensions [mm/inches]



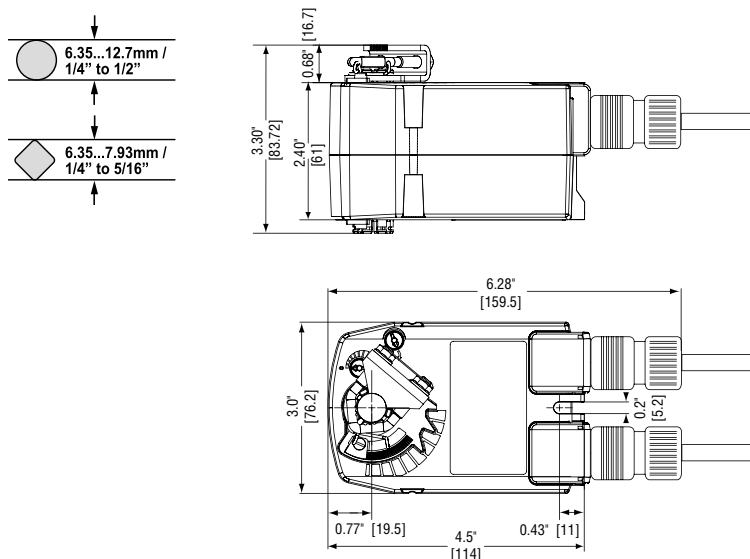
- Meet requirement of UL555(S) when tested as an assembly with suitable dampers
- Torque: 2Nm @ 121°C(250°F) for 30 minutes
- Running time: motor 75s, spring return 25s
- Control: Open/Close
- 1 wire control



Technical data

Electrical data	Nominal voltage	AC 230V 50/60Hz	
	Nominal voltage range	AC 207V...253V	
	Power consumption	5.5VA @ running / 4.5VA @ holding	
	Connection	-Motor 1m, 18ga, 2 colour coded leads -Auxiliary Switch 1m, 18ga, 4 appliance leads 1/2" conduit connector	
Functional data	Torque	2Nm	
	Direction of rotation	Reversible with CW/CCW mounting	
	Angle of rotation	Max. 95°	
	Auxiliary switch	-FSTF230-S US 2 SPST, 3A resistive (0.5A inductive) @ 120VAC fixed at 10°↙, 80°↘	
	Running time	-Motor <75s at rated voltage and torque -Spring Return <25s @ 0°C - 50°C	
	Position indicator	Visual indicator 0° to 95° (0° spring return position)	
Safety	Protection class	Double insulated	
	Degree of protection	IP42 / NEMA type 2	
	Agency listing	cULus acc. to UL60730-1A/-2-14, CAN/CSA E60730-1:02, Listed to UL 2043 - suitable for use in air plenums per Section 300.22(C) of the NEC and Section 602 of the IMC	
	Ambient temperature	-Normal Duty 0...+50°C -Safety Duty Open/Close cycles after 1/2hr @250°C	
	Storage temperature	-40...+80°C	
	Humidity test	5-95% RH, non-condensing	
	Maintenance	Maintenance-free	
	Dimensions / weight	Dimensions (L x M x H)	See "Dimensions"
		Shaft diameter	∅ 6.35...12.7mm / 1/4" to 1/2" □ 6.35...7.93mm / 1/4" to 5/16"
		Weight	-FSTF230 US Approx. 0.57kg -FSTF230-S US Approx. 0.68kg

Dimensions [mm/inches]



Wiring diagram: FS.. Series Fail-Safe Open/Close Actuators

- Notes:**
- Parallel connection of several actuators is possible.
 - Power consumption must be observed.

